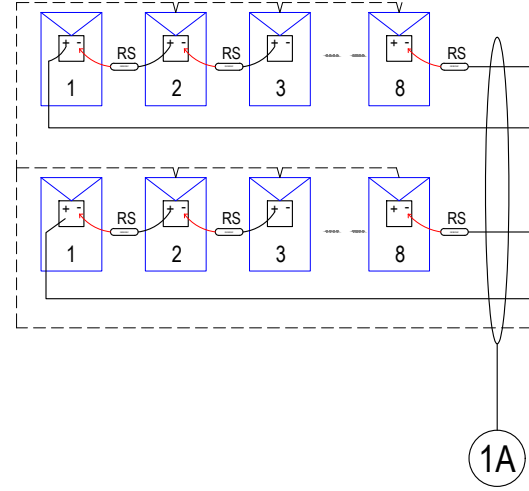
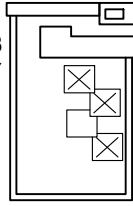


PHOTOVOLTAIC SYSTEM	
DC SYSTEM SIZE (WATTS)	11840W
AC SYSTEM SIZE (WATTS)	15200W
TOTAL NUMBER OF MODULES	32
NOMINAL AC VOLTAGE	240V

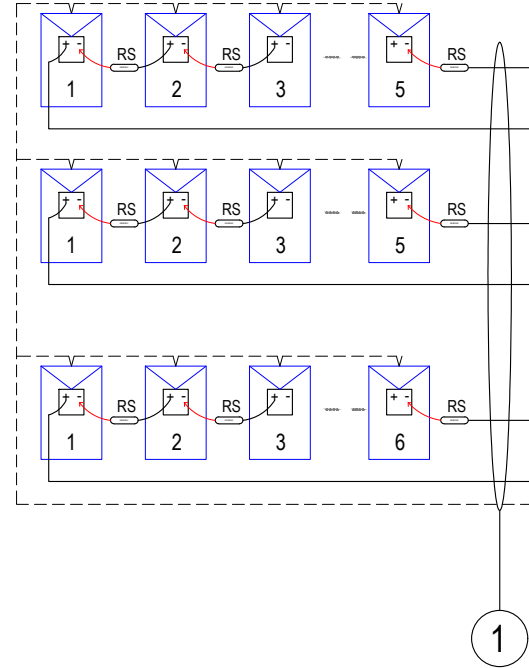
16 NEW SILFAB SIL-370 BK (UL1741 CERTIFIED) MODULES WITH GENERAC SNAP RS INLINE DISCONNECT SWITCH



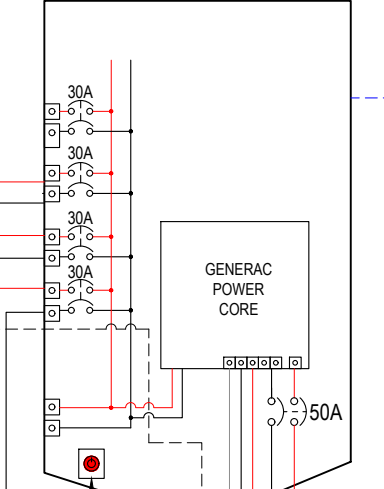
(01) GENERAC PWRCELL 3 (IRM3DCB) BATTERY



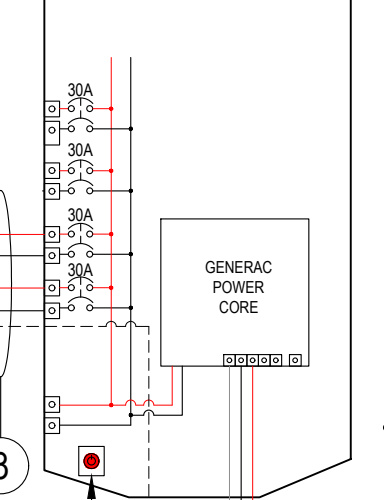
16 NEW SILFAB SIL-370 BK (UL1741 CERTIFIED) MODULES WITH GENERAC SNAP RS INLINE DISCONNECT SWITCH



GENERAC PWR CELL X7602 [240V] INVERTER  
OUTPUT: 240VAC, 32.0A  
96.5% CEC WEIGHTED EFFICIENCY  
NEMA 3R, UL LISTED, INTERNAL GFDI  
WITH INTEGRATED DC DISCONNECT (INSIDE)

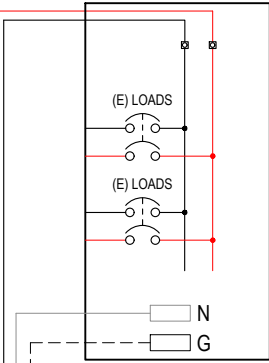


GENERAC PWR CELL X7602 [240V] INVERTER  
OUTPUT: 240VAC, 32.0A  
96.5% CEC WEIGHTED EFFICIENCY  
NEMA 3R, UL LISTED, INTERNAL GFDI  
WITH INTEGRATED DC DISCONNECT (INSIDE)



EXTERNAL SAFETY RAPID SHUTDOWN SWITCH

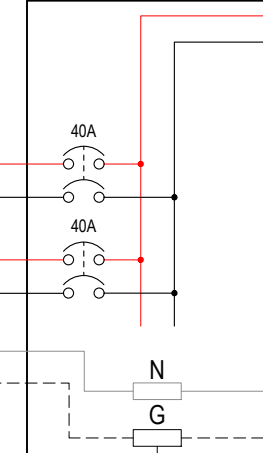
(N) 120/240V, 125A CRITICAL BACKUP LOAD PANEL, SINGLE PHASE UL1741 CERTIFIED



(3) #8 AWG THWN-2  
(1) #8 AWG GND  
3/4" EMT CONDUIT

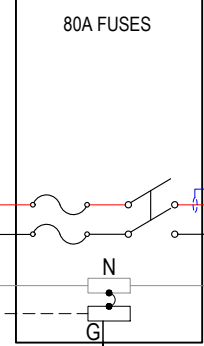
EXTERNAL SAFETY RAPID SHUTDOWN SWITCH

NEW 240V/125A, LOAD CENTER, SINGLE PHASE

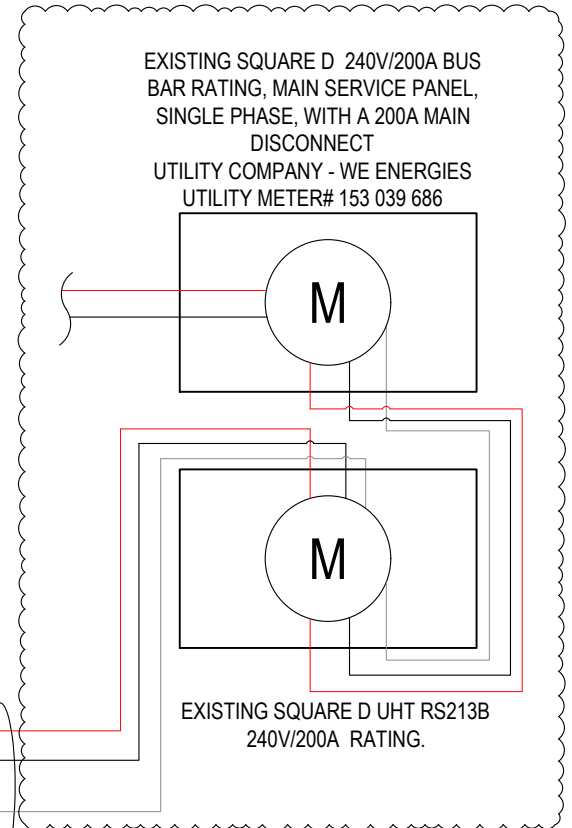


NEUTRAL TO BE BONDED TO GROUNDING IN AC DISCONNECT

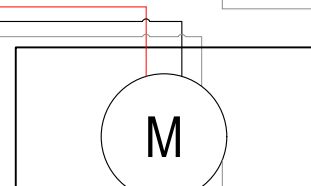
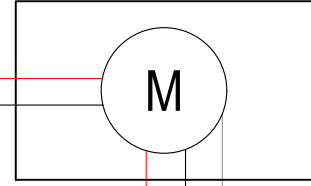
(N) BLADE TYPE FUSIBLE AC DISCONNECT NEMA 3R 100A-2P 120/240VAC (VISIBLE, LOCKABLE, LABELED)



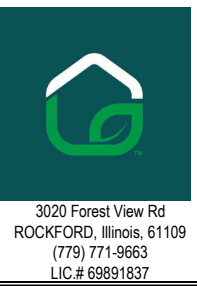
INVERTER CHARACTERISTICS - GENERAC PWR CELL X7602 [240V]	
MAX OUTPUT POWER	7600 W
SYSTEM OPERATING VOLTAGE	380 V
MAX CONTINUOUS OUTPUT CURRENT	32 A
MAX INPUT VOLTAGE	420 V
MAX INPUT CURRENT	20 A
MAX EFFICIENCY	97 %



EXISTING SQUARE D 240V/200A BUS BAR RATING, MAIN SERVICE PANEL, SINGLE PHASE, WITH A 200A MAIN DISCONNECT  
UTILITY COMPANY - WE ENERGIES  
UTILITY METER# 153 039 686



EXISTING SQUARE D UHT RS213B 240V/200A RATING.



REVISIONS		
Description	Date	Rev
Updated to series Metering	02-08-2022	01

Signature with Seal

Project Name & Address

**BRICE RUTH RESIDENCE**  
4191 PAVLAK RD, DEERFIELD, WI 53531  
APN: 071215286400

Sheet Name  
**3-LINE DIAGRAM**

Sheet Size  
**ANSI B 11" X 17"**

Sheet Number  
**E 1.1**

